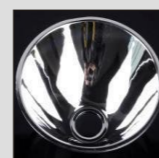


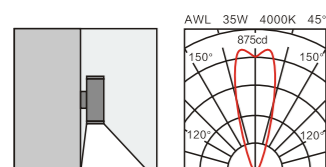
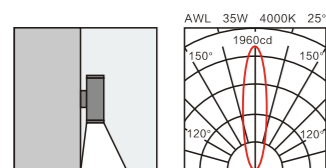
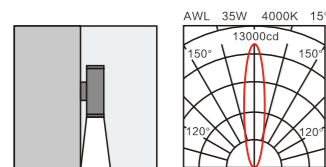


平面玻璃设计
Flat glass



反光杯
Reflector cup

配光曲线 Light distribution curve



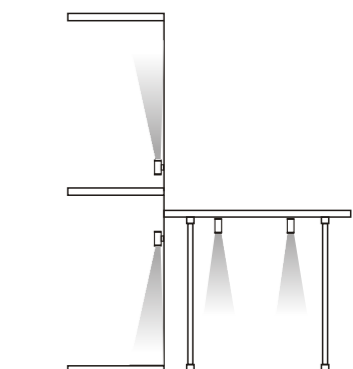
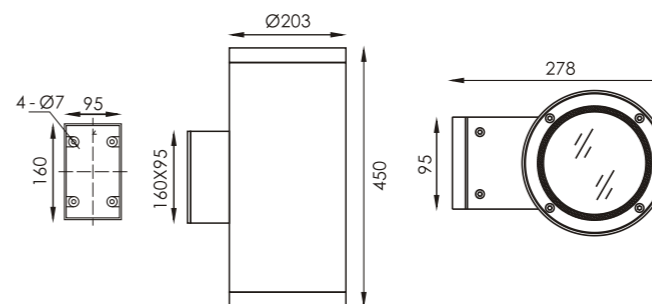
产品特点 Product Features

单出光壁装筒灯/经典AWL

- 安装方式: 墙壁安装
- 光源描述: OSRAM电器光源
- 电器描述: 电感镇流器
- 表面工艺: 灯体表面喷涂UV稳定聚酯粉
- 灯身材质: ADC12压铸铝
- 面板材质: 高强度钢化玻璃
- IP 等级: IP67
- 电器防护等级: Class I

Wall Luminaire - Single-sided Light Emission / Classic AWL

- Mounting:** Wall
- Light source:** OSRAM lamp
- Control gear:** Magnetic ballast
- Finish:** Polyester powder coated, UV-stabilized
- Housing:** ADC12 Die Cast Aluminum
- Lens:** High quality tempered glass
- IP Rating:** IP67
- Safety Class:** Class I



| 型号 Model | 电压 Voltage | 功率 Power | 光束角 Beam Angle | 光通量 Lumen | 色温 Color Temperature | 防护等级 IP Code | 控制方式 Control Mode |
|-------------|---------------|-------------|-------------------|--------------|-------------------------|-----------------|----------------------|
| AWL11H | 220V | 35W | 15°/25°/45° | 3300lm | 4000K | IP67 | HIT |
| AWL12H | 220V | 70W | 15°/25°/45° | 6600lm | 4000K | IP67 | HIT |
| AWL13H | 220V | 150W | 15°/25°/45° | 14000lm | 4000K | IP67 | HIT |

