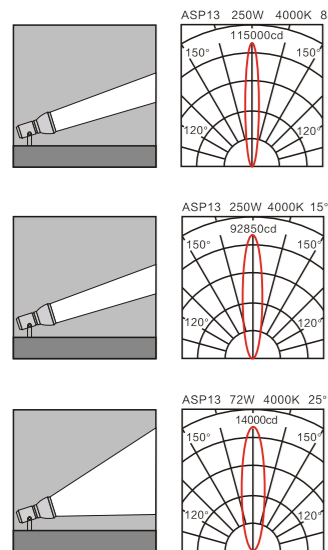




平面玻璃设计 Flat glass
灯体一体化 Integration of lamp body
可调节角度 Adjustable angle

配光曲线 Light distribution curve

产品特点 Product Features

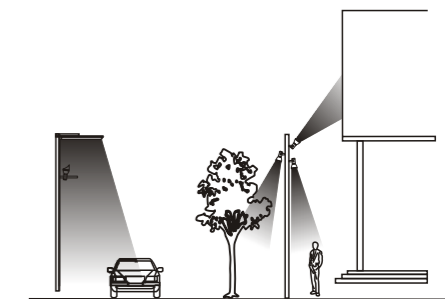
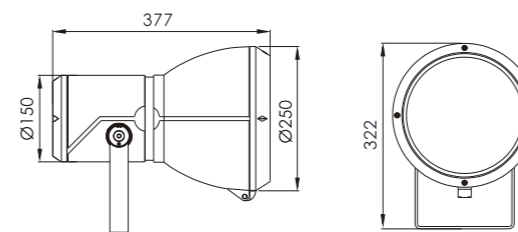


投光灯/经典ASP13

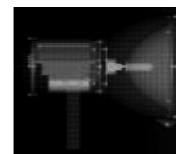
- 安装方式: 支架安装
- 光源描述: 金卤灯光源
- 电器描述: 电感镇流器
- 表面工艺: 灯体表面喷涂防UV稳定聚酯粉
- 灯身材质: ADC12压铸铝
- 面板材质: 高强度钢化玻璃
- IP 等级: IP66
- 电器防护等级: Class I

Floodlight / Classic ASP13

- Mounting:** Bracket
- Light source:** Metal halide lamp source
- Control gear:** Magnetic ballast
- Finish:** Polyester powder coated, UV-stabilized
- Housing:** ADC12 Die Cast Aluminum
- Lens:** High quality tempered glass
- IP Rating:** IP66
- Safety Class:** Class I



型号 Model	电压 Voltage	功率 Power	光束角 Beam Angle	光通量 Lumen	色温 Color Temperature	防护等级 IP Code	控制方式 Control Mode
ASP13	220V	250W	8°/15°/25°	23000lm	4000K	IP66	HIT



灯体一体化
简洁时尚极富建筑性,缩小体积的同时能更能融入建筑结构
Integration of lamp body
One-piece design with integral control gear for simple fixing at site



平面玻璃
平面玻璃设计, 实现天然自动清洗, 保持灯具的照明度
Flat tempered glass lens Flat glass lens can be self-cleaned to maintain the clarity by raining



独立测试配光IES Format光照度文件, 配合专业电脑软件PHOTO PIA AGI及Dialux计算配光角度及支臂角度固定配件, 提供专业效果。
All photometric testing in IES format; can be applied with softwares i.e. Photo PIA, AGL and Dialux for illumination calculation



安装方便
顶部为稳固玻璃面盖设计,方便及安全更换光源;一体化灯具设计,轻便且安装、维护简单
Easy Install
Hinged cover lens for easy re-lamping and maintenance.

